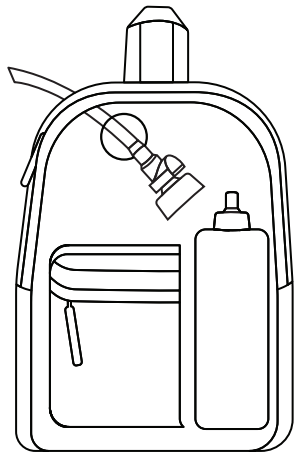
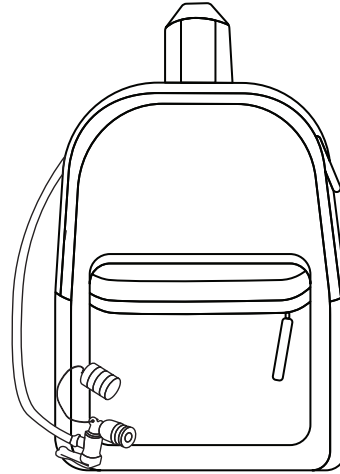


V



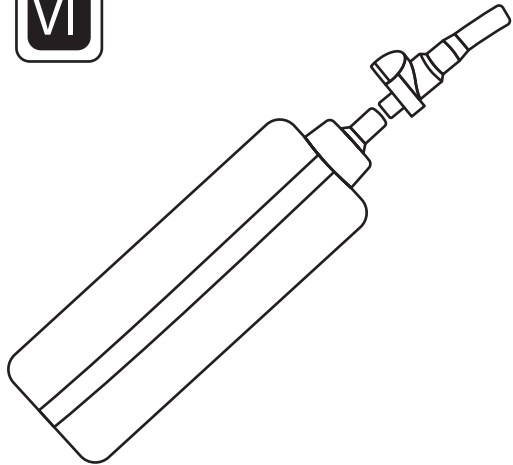
Put the red button part through the hydration hole & pass the water hose through elastic on the side you want to use

VII



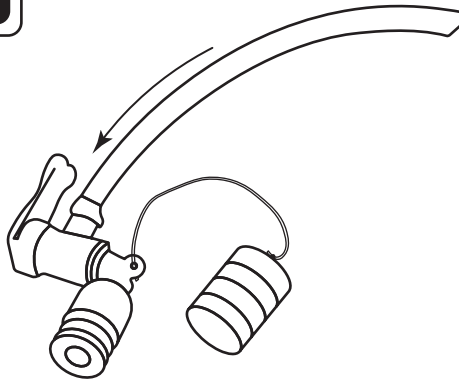
Put hydration hose up to the magnetic clip on the strap & cut the hose down to size.

VI



Put straw down to the bottom of the bottle then push the red bottom piece onto bottle screw top till it clicks on.

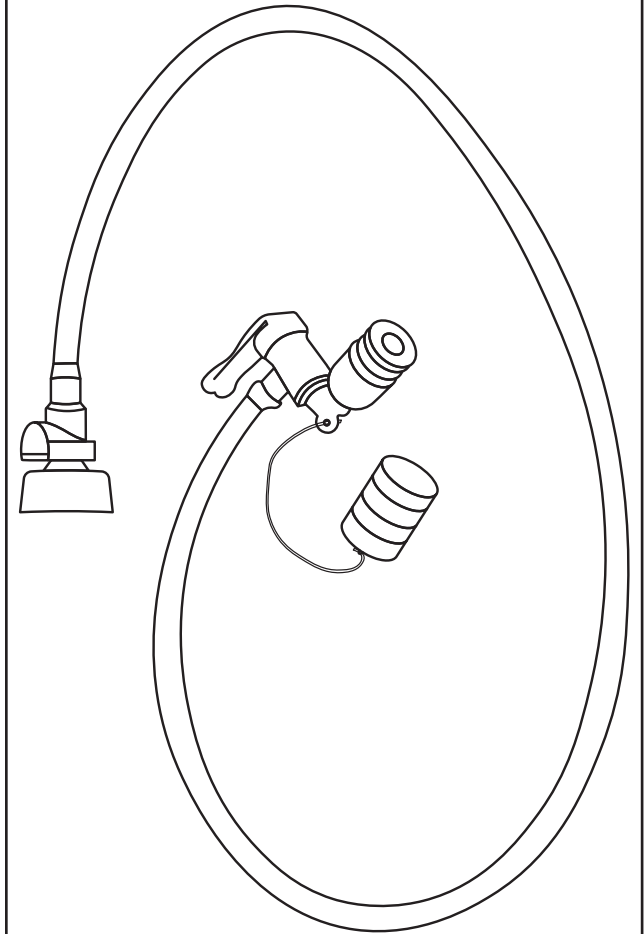
VIII



Push bite valve back on.

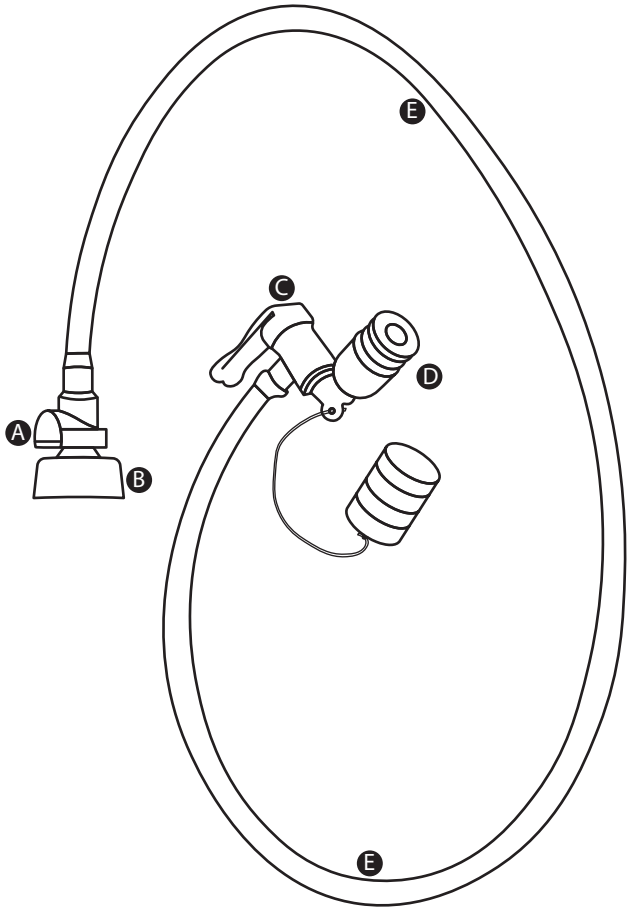
HYDRATION KIT

(for back packs)



BAR
CODE

PRODUCT STRUCTURE



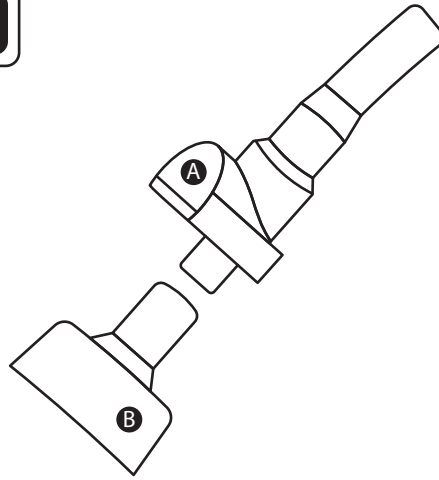
A RED BUTTON

B SCREW TOP

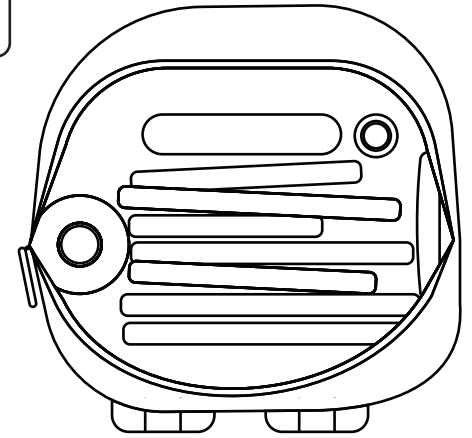
C MAGNET CLIP

D BITE VALVE

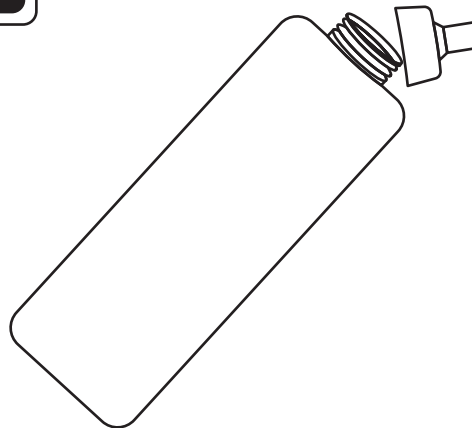
E WATER HOSE



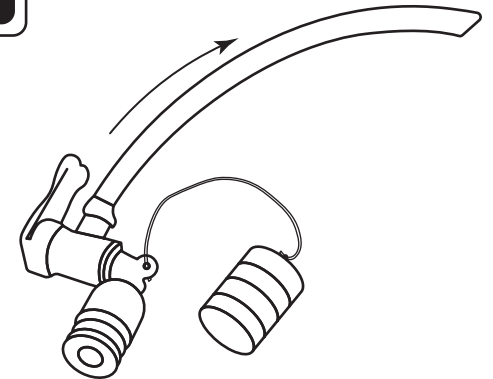
Push Red Button to release Screw top.



Place water bottle in preferred angle in the bag.



Put Screw top onto water bottle.



Pull bite valve hose off.